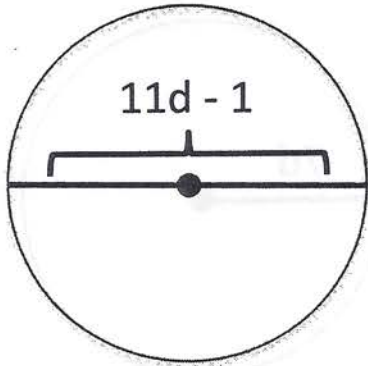


Name: _____

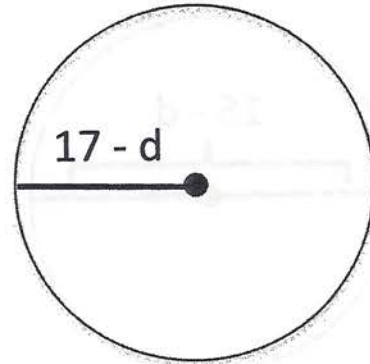
$$d = 3$$

Radius and Diameter Homework



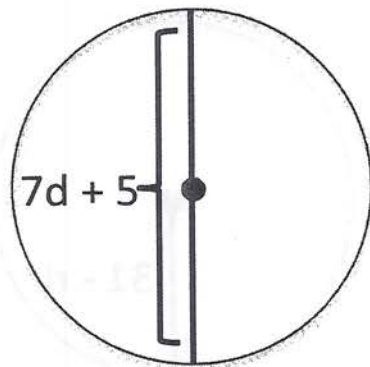
Radius: _____

Diameter: _____



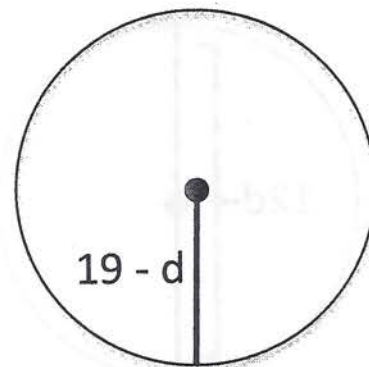
Radius: _____

Diameter: _____



Radius: _____

Diameter: _____



Radius: _____

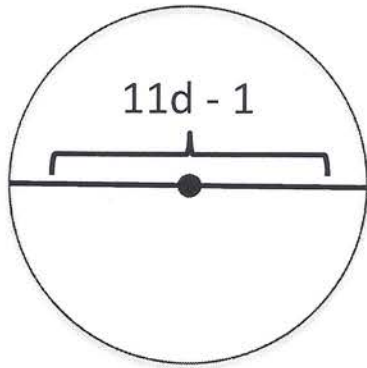
Diameter: _____

Name: _____

ANSWERS

$$d = 3$$

Radius and Diameter Homework



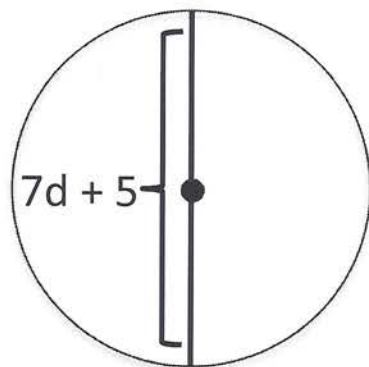
Radius: _____ 16 _____

Diameter: _____ 32 _____



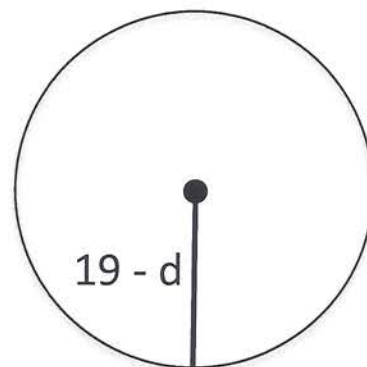
Radius: _____ 14 _____

Diameter: _____ 28 _____



Radius: _____ 13 _____

Diameter: _____ 26 _____



Radius: _____ 16 _____

Diameter: _____ 32 _____