

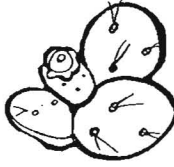


Name _____ Date _____


Desert Trail

Follow the path of numbers on each trail. How do the numbers fit a pattern? Write numbers on the lines to complete each pattern. Then write the "pattern rule." The first one is done for you.

1.   




3 4 5 6 7 8 9 10 12 13

Rule: +1

2. 




4 6 10 12 16 20

Rule: _____

3.   


3 6 12 15 21

Rule: _____

4.   

5 10 20 25 35

Rule: _____





Make a Path



Name _____ Date _____

Hiking Trail




Follow the path of numbers on each trail. How do the numbers fit a pattern? Write numbers on the lines to complete each pattern. Then write the "pattern rule."

1.  2 5 11 14  23





Rule: _____

2.  40 35 20 15 5 

Rule: _____

3.  20 18 14 12 6  

Rule: _____

4.  85 75 45 15 35   

Rule: _____



Name _____ Date _____

Pet Paths

Follow the path of numbers on each trail. How do the numbers fit a pattern? Write numbers on the lines to complete each pattern. Then write the "pattern rule."

1.

 Rule : _____

2.

 Rule : _____

3.

 Rule : _____

4.

 Rule : _____



On the back of this paper, make two number trails for a friend to complete.